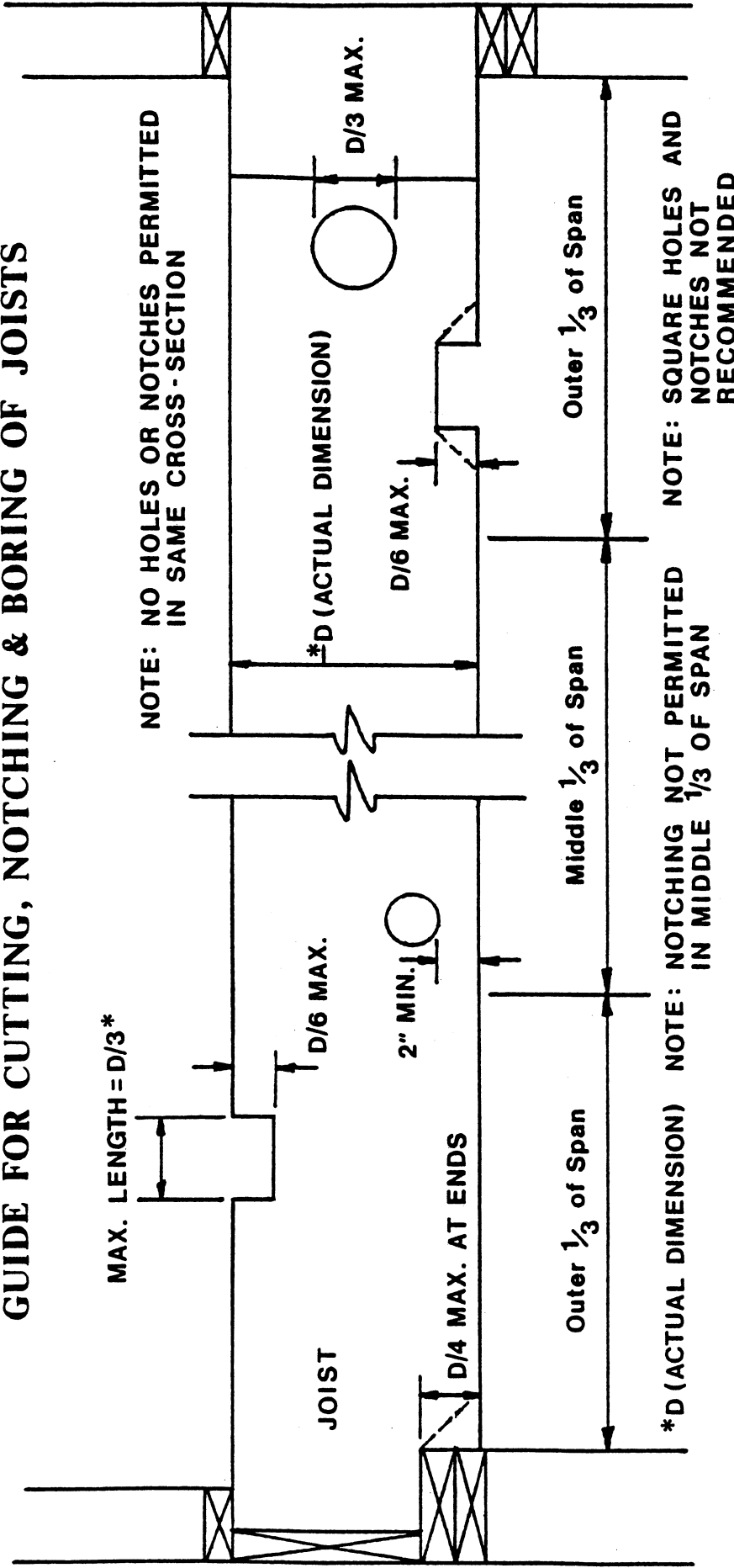


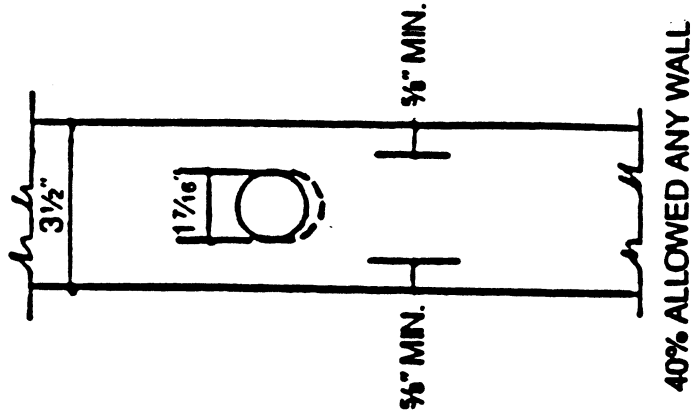
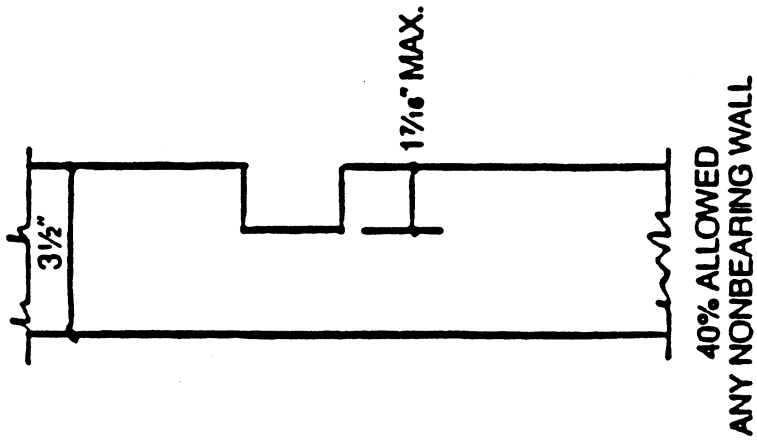
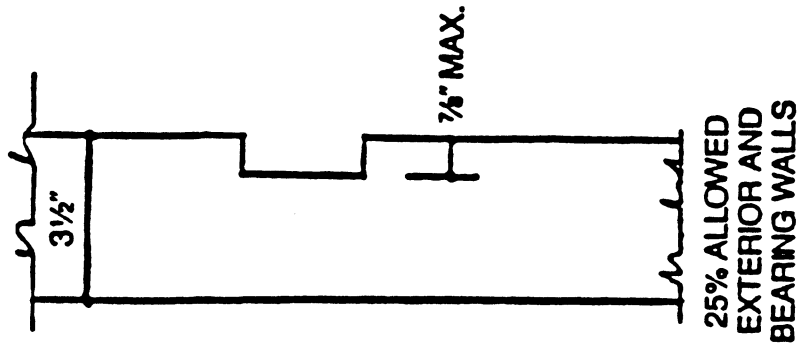
GUIDE FOR CUTTING, NOTCHING & BORING OF JOISTS



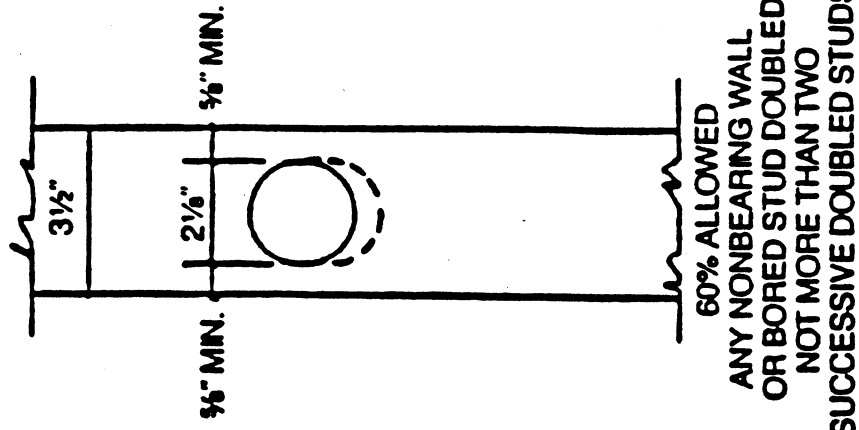
Joist Size	Max. Hole	Max. Notch Depth	Max. End Notch
2x4	NONE	NONE	NONE
2x6	1 1/2	7/8	1 3/8
2x8	2 3/8	1 1/4	1 7/8
2x10	3	1 1/2	2 3/8
2x12	3 3/4	1 7/8	2 7/8

These figures comply with the requirements of the Uniform Building Code, the Standard Building Code, and the One & Two Family Dwelling Code.

CUTTING & NOTCHING



BORED HOLES



**MAXIMUM ALLOWED NOTCHING AND DRILLING
FOR NORMAL CONSTRUCTION WITH
2 x 4 STUD**